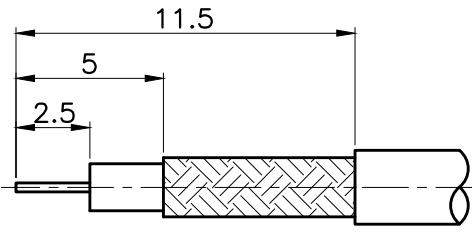
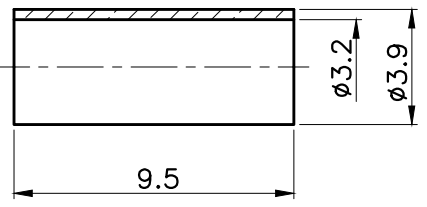
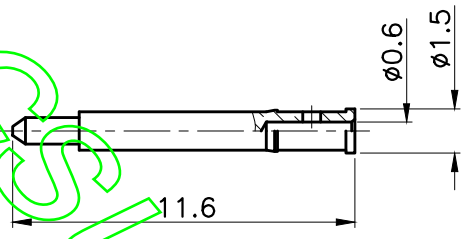
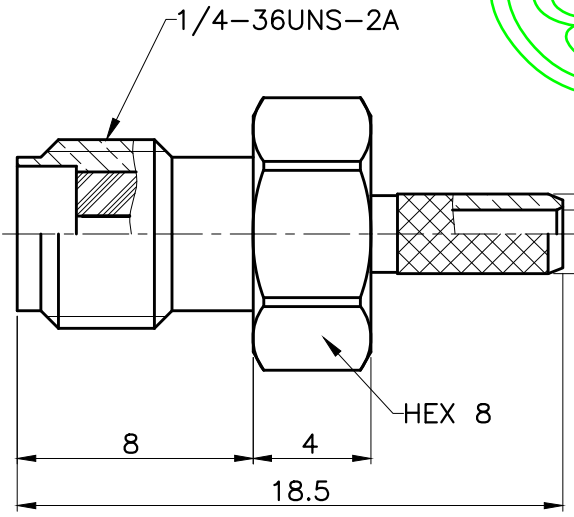


REVISIONS	
ISS	DESCRIPTION \ DATE

RoHS COMPLIANT



RECOMMENDED  
CABLE STRIPPING DIM'S



1. CRIMPED FERRULE  
HEX CRIMP SIZE .128"
2. CONTACT PIN TO SOLDER



TITLE: SMA FEMALE CRIMP REVERSE  
(FOR RG174/U, 316/U)

PART NO: SMAJCR174R      055

DRAWING NO:

APRD:	UNLESS OTHERWISE SPECIFIED TOLERANCES 0.5-6 = ±0.2 >6-30 = ±0.4 >30-120 = ±0.6 >120-315 = ±1 >315-1000 = ±1.6 ANGLES = ±5°			
CHKD:				
DR:				
DATE: 04/11/13"	UNIT: mm	FERRULE	BRASS	GOLD
SHEET: .	SCALE: 4/1	CONTACT PIN	BRASS	GOLD
		INSULATOR	TEFLON	WHITE
		BODY	BRASS	GOLD
		NO. DESCRIPTION	MATERIAL	FINISH